

Technical data sheet



Product features

Display case heated 50x35

Model	SAP Code	00004949
--------------	-----------------	----------



- Device properties: Warmed
- Minimum device temperature [°C]: 30
- Maximum device temperature [°C]: 60
- Opening of device: Two-sided

SAP Code	00004949	Power electric [kW]	0.400
Net Width [mm]	504	Loading	230 V / 1N - 50 Hz
Net Depth [mm]	355	Minimum device temperature [°C]	30
Net Height [mm]	270	Maximum device temperature [°C]	60
Net Weight [kg]	9.00		

Technical data sheet



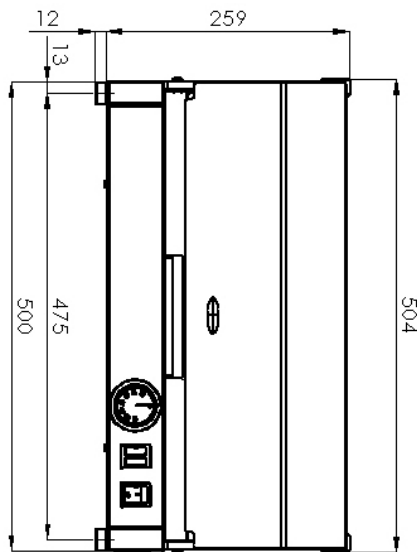
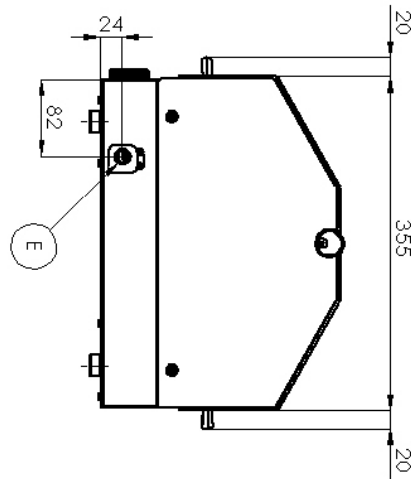
Technical drawing

Display case heated 50x35

Model

SAP Code

00004949



Technical data sheet



Technical parameters

Display case heated 50x35

Model

SAP Code

00004949

1. SAP Code:

00004949

2. Net Width [mm]:

504

3. Net Depth [mm]:

355

4. Net Height [mm]:

270

5. Net Weight [kg]:

9.00

6. Gross Width [mm]:

400

7. Gross depth [mm]:

550

8. Gross Height [mm]:

300

9. Gross Weight [kg]:

10.00

10. Device type:

Electric unit

11. Device properties:

Warmed

12. Power electric [kW]:

0.400

13. Loading:

230 V / 1N - 50 Hz

14. Minimum device temperature [°C]:

30

15. Maximum device temperature [°C]:

60

16. Opening of device:

Two-sided